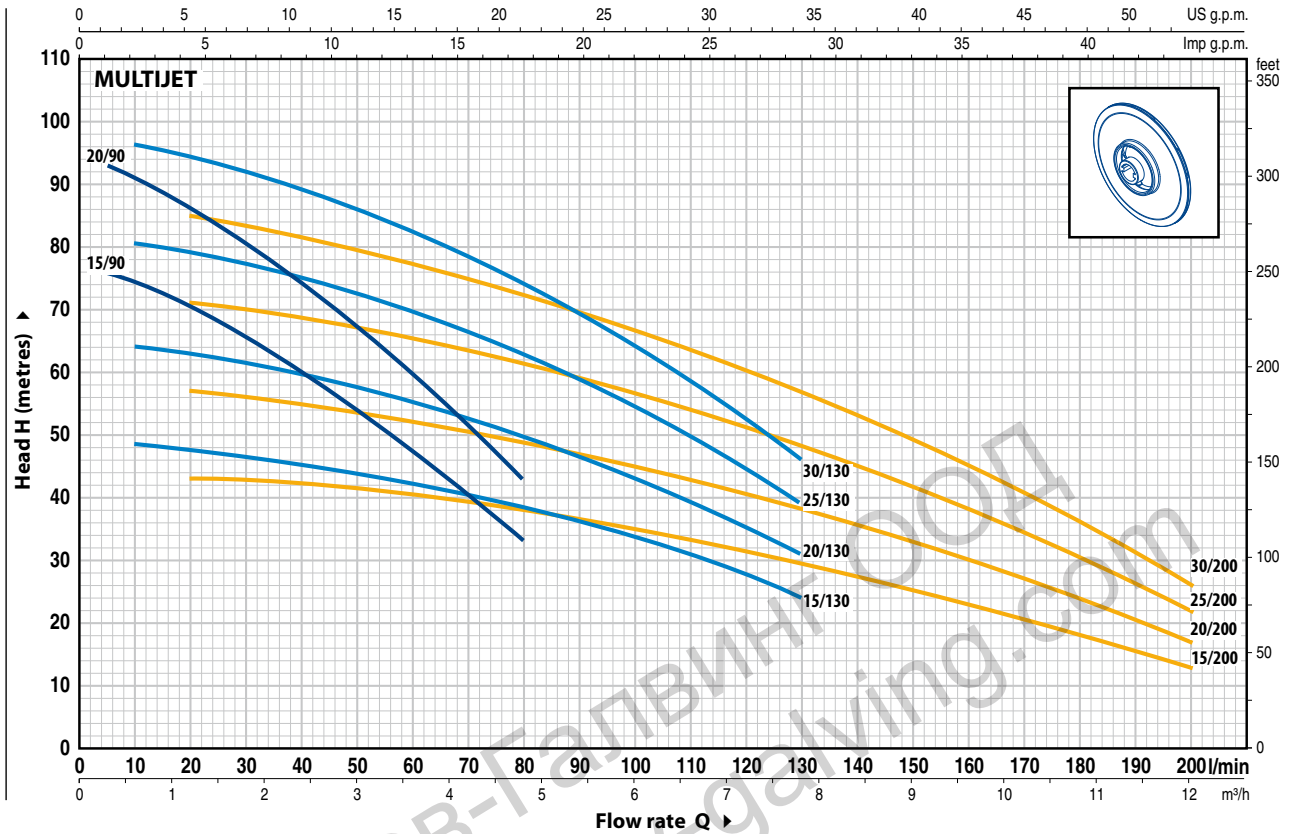


CHARACTERISTIC CURVES AND PERFORMANCE DATA

50 Hz n= 2900 1/min HS= 0 m

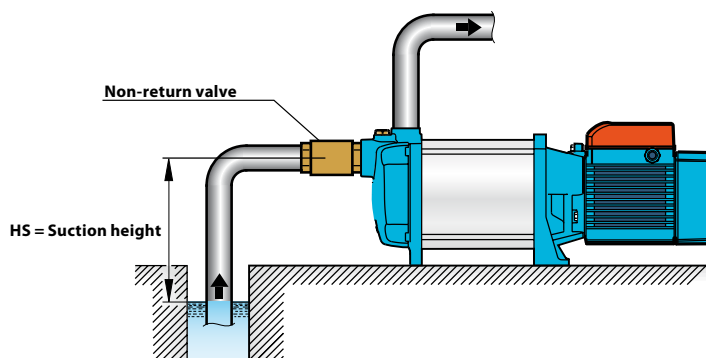


MODEL		POWER		Q	Flow rate (m³/h)													
Single-phase	Three-phase	kW	HP		0	0.3	0.6	1.2	2.4	3.6	4.8	6.0	7.8	8.4	9.6	10.8	12.0	
MULTIJET 15/90M	MULTIJET 15/90	1.1	1.5	l/min	0	5	10	20	40	60	80	100	130	140	160	180	200	
MULTIJET 20/90M	MULTIJET 20/90	1.5	2	H metres	76	76	73.5	70	60.5	47	33							
MULTIJET 15/130M	MULTIJET 15/130	1.1	1.5		93	93	90.5	86	74.5	59.5	43							
MULTIJET 20/130M	MULTIJET 20/130	1.5	2		49	49	48.5	47.5	45	42.5	38.5	33.5	24					
-	MULTIJET 25/130	1.8	2.5		65	65	64	63	60	56	50	43	31					
-	MULTIJET 30/130	2.2	3		81	81	80.5	79	75	70	62.5	54	39					
MULTIJET 15/200M	MULTIJET 15/200	1.1	1.5		97	97	96.5	94.5	90	83	74.5	64	46					
MULTIJET 20/200M	MULTIJET 20/200	1.5	2		44	43.5	43.5	43	42	40.5	38	35	29	27.5	23	18	13	
-	MULTIJET 25/200	1.8	2.5		58	57.5	57.5	57	55	52.5	49.5	45	38	35.5	30	24	17	
-	MULTIJET 30/200	2.2	3		73	72	71.5	71	69	65.5	62	56.5	48	44.5	38	30	22	
					87	86	85.5	85	82	78	73	67	57	53	45	36	26	

Q = Flow rate H = Total manometric head HS = Suction height

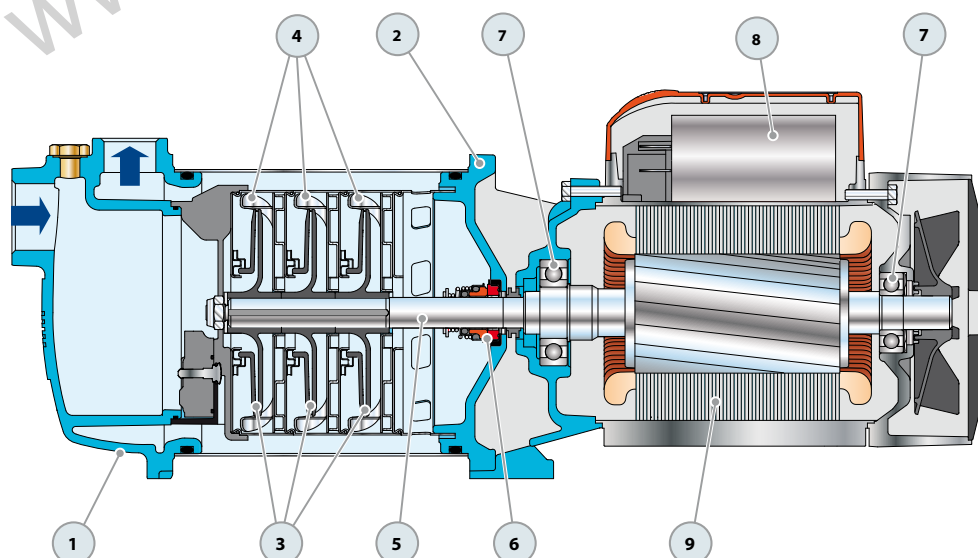
Tolerance of characteristic curves in compliance with EN ISO 9906 App. A.

INSTALLATION EXAMPLE

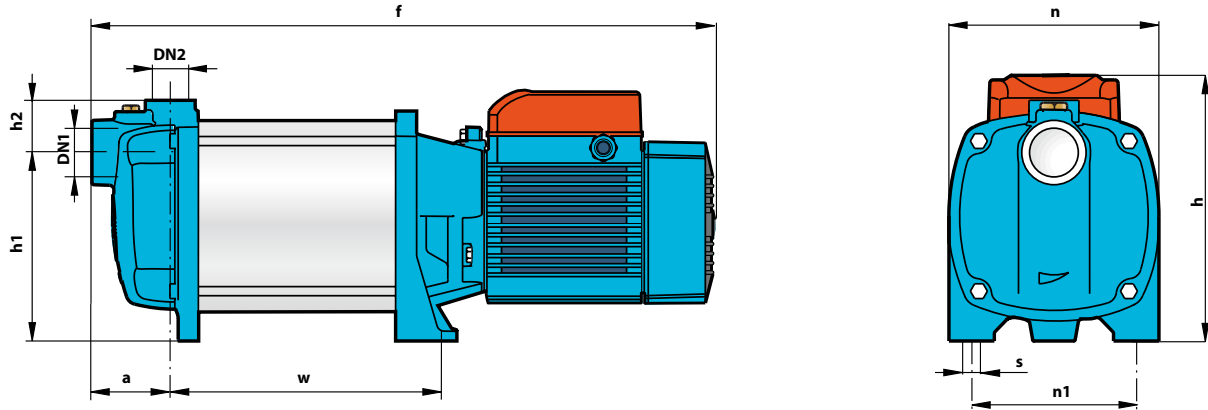


MULTIJET 90-130-200

POS.	COMPONENT	CONSTRUCTION CHARACTERISTICS				
1	PUMP BODY	Cast iron and stainless steel AISI 304, complete with threaded ports in compliance with ISO 228/1				
2	BODY BACKPLATE	Cast iron				
3	IMPELLERS	Noryl GFN2V				
4	DIFFUSERS	Stainless steel AISI 304, complete with anti-wear ring				
5	MOTOR SHAFT	Stainless steel EN 10088-3 - 1.4104				
6	MECHANICAL SEAL	<i>Seal</i>	<i>Shaft</i>	<i>Materials</i>		
		<i>Model</i>	<i>Diameter</i>	<i>Stationary ring</i>	<i>Rotational ring</i>	<i>Elastomer</i>
		FN-18	Ø 18 mm	Graphite	Ceramic	NBR
7	BEARINGS	6206 ZZ - C3 / 6204 ZZ				
8	CAPACITOR	<i>Pump</i>	<i>Capacitance</i>			
		<i>Single-phase</i>	(230 V or 240 V)	(110 V)		
		MULTIJET 15/90M				
		MULTIJET 15/130M	31.5 µF 450 VL	60 µF 250 VL		
		MULTIJET 15/200M				
		MULTIJET 20/90M				
		MULTIJET 20/130M	45 µF 450 VL	80 µF 250 VL		
		MULTIJET 20/200M				
9	ELECTRIC MOTOR	MULTIJET M: single-phase 230 V - 50 Hz with thermal overload protector built-in to the winding.				
		MULTIJET: three-phase 230/400 V - 50 Hz.				
		⇒ Pumps fitted with the three-phase motor option offer IE2 (IEC 60034-30) class high performance – Insulation: F class. – Protection: IP 44.				



DIMENSIONS AND WEIGHT



MODEL		PORTS		DIMENSIONS mm									kg	
Single-phase	Three-phase	DN1	DN2	a	f	h	h1	h2	n	n1	w	s	1~	3~
MULTIJET 15/90M	MULTIJET 15/90	1 1/4"	1"	69	634	230	153	46	185	145	304	10	26.6	24.8
MULTIJET 20/90M	MULTIJET 20/90				665						335		28.7	27.8
MULTIJET 15/130M	MULTIJET 15/130				571						241		24.8	22.9
MULTIJET 20/130M	MULTIJET 20/130				602						272		26.9	25.9
-	MULTIJET 25/130				634						304		-	27.9
-	MULTIJET 30/130				665						335		-	28.8
MULTIJET 15/200M	MULTIJET 15/200				571						241		24.8	22.9
MULTIJET 20/200M	MULTIJET 20/200				602						272		26.9	25.9
-	MULTIJET 25/200				634						304		-	27.9
-	MULTIJET 30/200				665						335		-	28.8

ABSORPTION

MODEL	VOLTAGE (single-phase)		
	230 V	240 V	110 V
MULTIJET 15/90M	8.5 A	8.2 A	17.0 A
MULTIJET 20/90M	10.5 A	10.0 A	21.0 A
MULTIJET 15/130M	8.5 A	8.2 A	17.0 A
MULTIJET 20/130M	10.5 A	10.0 A	21.0 A
MULTIJET 15/200M	8.5 A	8.2 A	17.0 A
MULTIJET 20/200M	10.5 A	10.0 A	21.0 A

MODEL	VOLTAGE (three-phase)					
	230 V	400 V	690 V	240 V	415 V	720 V
MULTIJET 15/90	5.7 A	3.3 A	1.9 A	5.5 A	3.2 A	1.8 A
MULTIJET 20/90	8.1 A	4.7 A	2.7 A	7.8 A	4.5 A	2.6 A
MULTIJET 15/130	5.7 A	3.3 A	1.9 A	5.5 A	3.2 A	1.8 A
MULTIJET 20/130	8.5 A	4.9 A	2.8 A	8.1 A	4.7 A	2.7 A
MULTIJET 25/130	8.7 A	5.0 A	2.9 A	8.3 A	4.8 A	2.8 A
MULTIJET 30/130	10.4 A	6.0 A	3.5 A	10.0 A	5.8 A	3.4 A
MULTIJET 15/200	5.7 A	3.3 A	1.9 A	5.5 A	3.2 A	1.8 A
MULTIJET 20/200	8.1 A	4.7 A	2.7 A	7.8 A	4.5 A	2.6 A
MULTIJET 25/200	8.7 A	5.0 A	2.9 A	8.3 A	4.8 A	2.8 A
MULTIJET 30/200	10.4 A	6.0 A	3.5 A	10.0 A	5.8 A	3.4 A

PALLETIZATION

MODEL		GROUPAGE / CONTAINER			
Single-phase	Three-phase	n° pumps	H (mm)	kg	
				1~	3~
MULTIJET 15/90M	MULTIJET 15/90	30	1430	820	760
MULTIJET 20/90M	MULTIJET 20/90	30	1430	880	850
MULTIJET 15/130M	MULTIJET 15/130	40	1430	1010	940
MULTIJET 20/130M	MULTIJET 20/130	40	1430	1100	1060
-	MULTIJET 25/130	30	1430	-	860
-	MULTIJET 30/130	30	1430	-	880
MULTIJET 15/200M	MULTIJET 15/200	40	1430	1010	940
MULTIJET 20/200M	MULTIJET 20/200	40	1430	1100	1060
-	MULTIJET 25/200	30	1430	-	860
-	MULTIJET 30/200	30	1430	-	880

